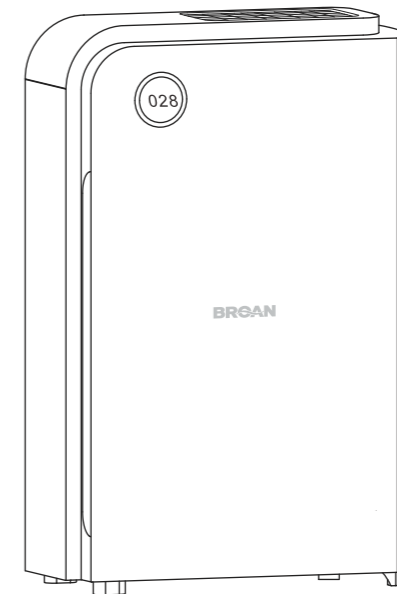




KJ310G-A02



Tips

- ◆ Thank you for using Broan's Air Purifier.
- ◆ Please read this manual carefully before installing and using this Air Purifier.
- ◆ Please keep this manual in a safe place for ease reference when required.

Warranty Terms and Conditions

The Broan Air Purifier is warranted against manufacturer's defects for one year from the date of purchase. and If the unit is installed and operated in accordance with this operating manual.

The Warranty is subject to the Terms and Conditions as stated in this User Manual.

Precaution

To prevent danger to you or others, please follow these safety precautions:

If your Air-Purifier's power supply cord is damaged, please replace it with our Service Centre or by a qualified technician.

 **Warning**



No wet hands!

Don't touch the power plug with wet hands. It may cause electrical shock.



Pull the plug!

Switch power OFF before cleaning the Air-Purifier.



CAUTION

Connect Air-Purifier to 230V AC power supply only. Not following the above specification may damage the Air-Purifier.



Make sure Power plug is completely inserted into the socket, before turning on the Air-Purifier.



CAUTION

Do NOT damage the power supply line or power socket. Do NOT use damaged wires or unauthorized modification to your Air-Purifier.



Please clean power plug regularly.



Unauthorized modification is strictly prohibited. It may cause damage to the Air-Purifier, or danger to people.



CAUTION


Do not insert objects into the air inlet or outlet.


Precaution

 Attention

Please switch OFF the power to the Air-Purifier, when:


- ◆ A switch does not work.
- ◆ A circuit-breaker trips or a fuse is burned.
- ◆ The power cord or plug is HOT.
- ◆ When you smell burning odour or abnormal sound or vibration
- ◆ Any other failure.


 Attention


 Do not use solvent, such as Benzene or Thinner to clean the Air-Purifier.

CAUTION

Air-Purifier may be damaged with above chemicals.


 When pulling out the Power Plug, please hold the plug instead of the wire. To prevent electrical accident or injury.


 Air-Purifier should not be used in damp or wet areas with high temperature, such as bathroom. Water leakage on Air-Purifier may cause electrical hazard or fire accident.

 Do not use or expose Air-Purifier in oily environment. Air-Purifier usage in Kitchen can reduce the service life.

CAUTION


- Air-Purifier should not be used as a ventilator or exhaust equipment.


 Do NOT allow flammable substances or combustible materials into the Air-Purifier. Keep Air-Purifier away from fire.

 During pesticide fumigation, do NOT use the Air-Purifier. Chemical residue could accumulate in the Air-Purifier and then be released from the outlet to harm occupants.

CAUTION

- After fumigation of pesticide, rooms should be thoroughly ventilated, before the use of the Air-Purifier.

 Air-Purifier can be used by children from 8 years old and persons with reduced physical, sensory or mental capabilities or lack of experience and knowledge; if they have been instructed to use the Air-Purifier with supervision concerning the usage and safety and they understand the hazards involved. Children should not play with the Air-Purifier. Adult supervision must be present when children are cleaning and maintaining the Air-Purifier.

 Keep the Air-Purifier away from moisture. It may cause fire accident due to short-circuit.

Troubleshooting

This section lists the possible problems when using this product. If you can't solve the problems based on the below information, please contact our customer service centre or dealers.

| condition | possible reasons | possible solutions |
|-----------------------------|--------------------------------------------------|-----------------------------------------------------------------------------------------------------------------------------------------|
| Machine can't turn on | The front panel may not be installed. | To remove the front panel, then install the panel again. |
| | Power plug is not inserted into the power source | Pull out the power plug, then insert into the power source. |
| | The power plug or wire is damaged. | Contact our customer service centre or dealers. |
| The fan doesn't work | The machine is not turned on. | Insert the plug into the power source and turn on the unit. |
| | The dynamo is damaged. | Contact our customer service centre or dealers. |
| | The unit is on an uneven surface. | Move the unit to a flat place. |
| | Loose or foreign objects inside the unit. | Contact our customer service centre or dealers. |
| | The motor is loose. | Contact our customer service centre or dealers. |
| | Plastic packaging of each filter is not removed. | Before using, please remove plastic packaging of each filter. |
| Performance is not optimal. | Washable pre-filter is dirty. | Please clean the pre-filter. |
| | Filter is not replaced. | Replace one set of new filter. |
| | Machine inlet or outlet was blocked. | Contact our customer service centre or dealers. |
| | Plastic packaging of each filter is not removed. | Before using, please remove plastic packaging of each filter. |
| | The space around the unit is not correct. | To ensure the machine at least 50 cm clearance on both sides of the air inlet and the outlet at the back of the machine at least 10 cm. |
| | Machine filter missing or sequence error | To ensure that all the filters put the correct sequence in machine |
| | Exceed the allowable coverage area. | Ensure the unit is operated under the proper conditions. |

Cleaning And Maintenance

Not in use for long periods

Pull out the power plug.(because the power consumption happens when it is in standby.)
Thoroughly dry the inside.(otherwise it may lead to equipment trouble.)
Store the unit in a dry, well-ventilated place. Do not lay it flat or upside down.

Tips

In consideration of you and your family's health, please change the filters on schedule. It is recommended to change the filters at least once per year. After 1000 hours in operation, The UV lamp sterilization efficiency will reduce to approx. 70%. It is still effective against bacteria and viruses, but should be replaced.

Attention

Please turn off or Pull out the plug, before you change the filter .

Replace filter reference time

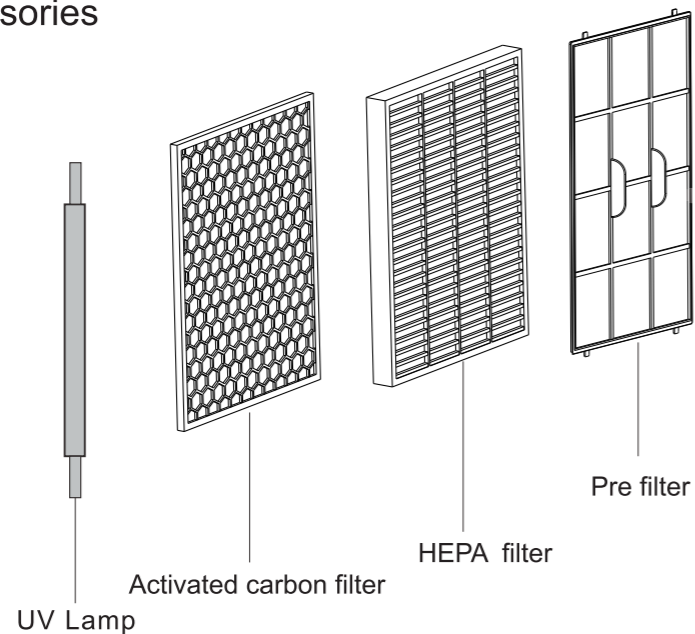
When the total machine work time reach to 1600hours, the machine will notice to change the filter . The power indicator will flash ceaselessly(one time per second). The red light showed when it is standby, the blue light showed when it works. But the machine still can work when get the notice of changing the filter.

Select Accessories

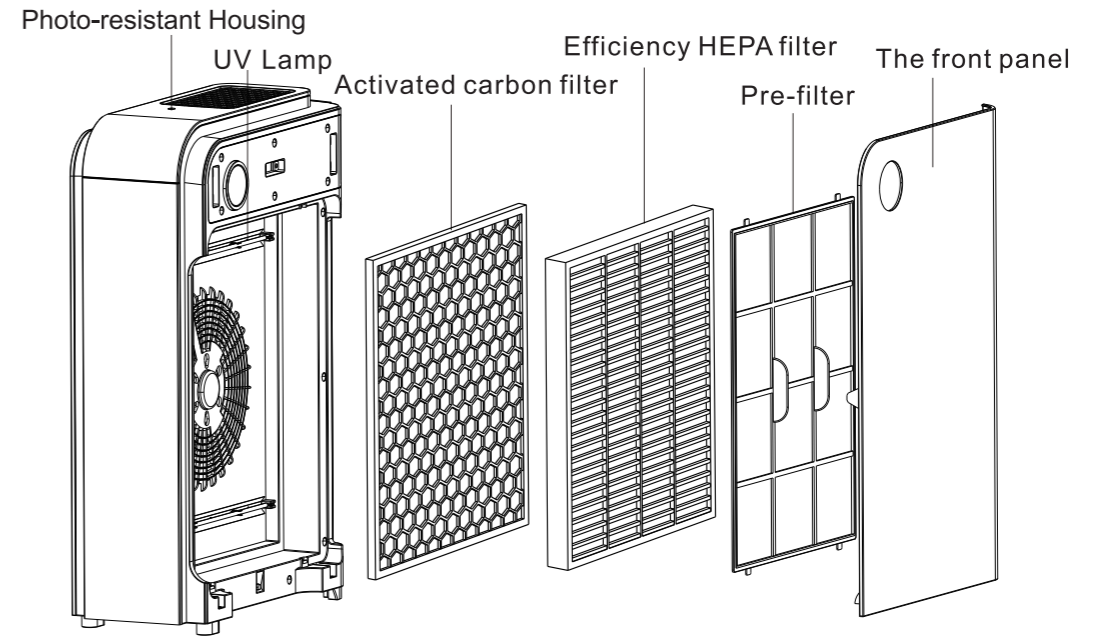
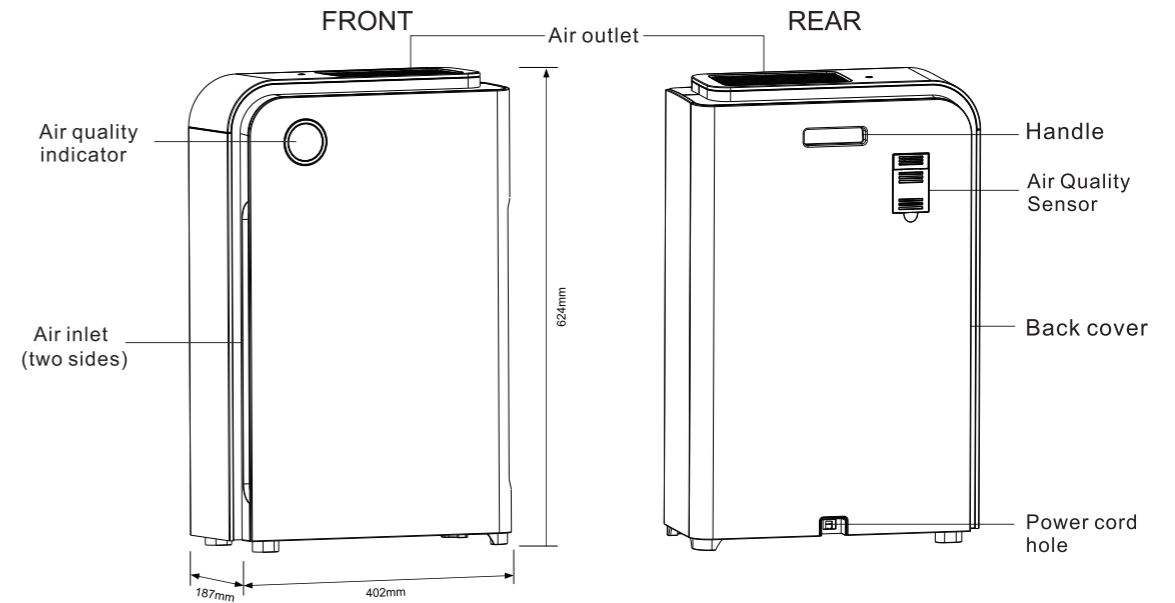
Ordering parts or accessories

If you need to replace parts or need to purchase additional parts, please contact your customer service center or dealer.

Select Accessories

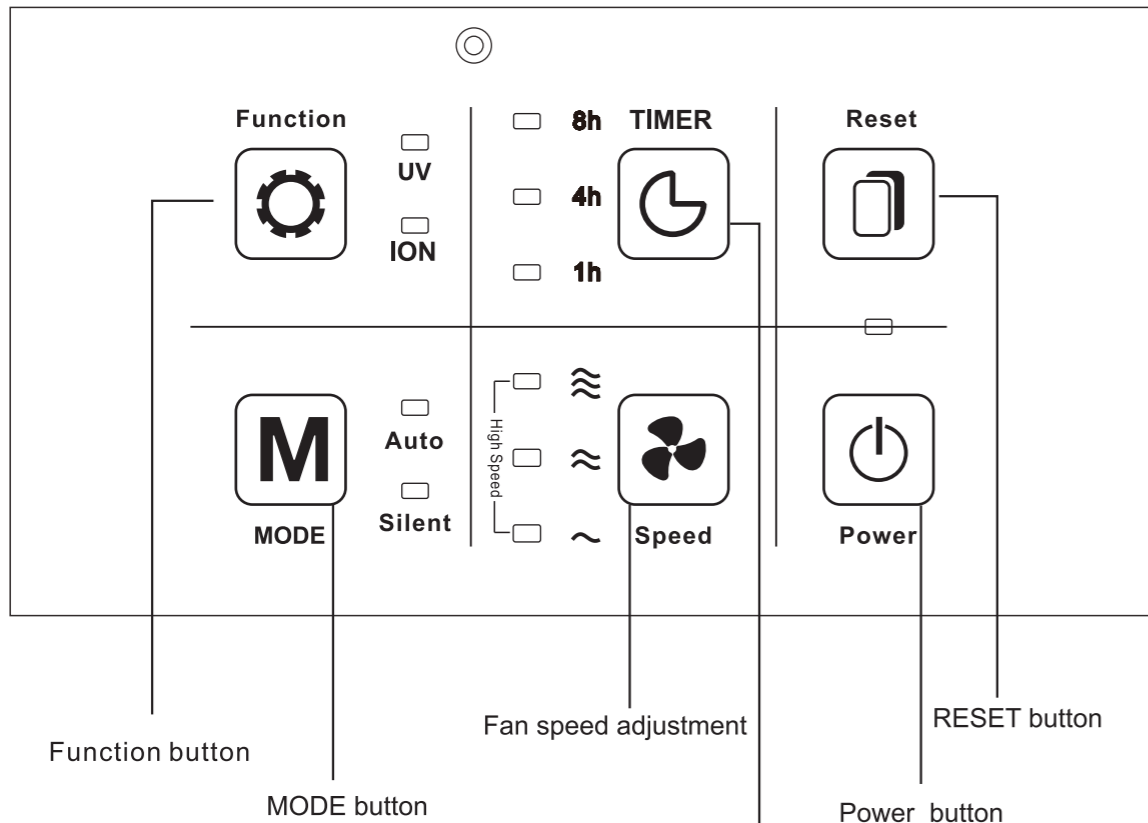


Product Introduction



| Model | Voltage frequency | Rated power | Clean air volume CADR(particulate matter) | Cumulative purification amount CCM(particulate matter) | Clean air volume CADR(formaldehyde) | Cumulative purification amount CCM(formaldehyde) | Noise (sound power level) | Application area | N.W. |
|------------|-------------------|-------------|-------------------------------------------|--------------------------------------------------------|-------------------------------------|--------------------------------------------------|---------------------------|------------------|-------|
| KJ310G-A02 | 220V~/50Hz | 55W | 310m³/h | P4 | 95m³/h | F4 | 63dB(A) | 21-37m² | 8.6Kg |

Control panel



Other items in packing



operation manual

Air-Quality Indicator

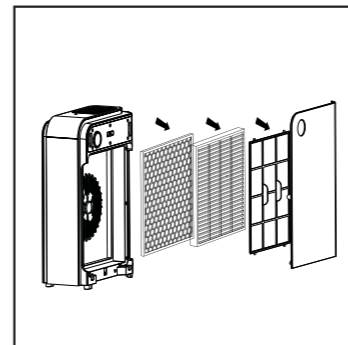
| | | |
|--|-----------------------------|-----------|
| | Blue (PM2.5= 0 ~ 50) | Excellent |
| | Green (PM2.5=50 ~ 100) | Good |
| | Purple (PM2.5= 100 ~ 150) | Fair |
| | Red (PM2.5=150 ~) | Bad |

Notice: Please press the RESET button to turn off the air quality indicator light.

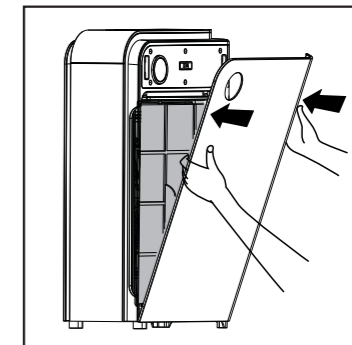
Photo-resistor will automatically adjust the Air-Purifier's light indicator according to the brightness of the surrounding environment.

Cleaning And Maintenance

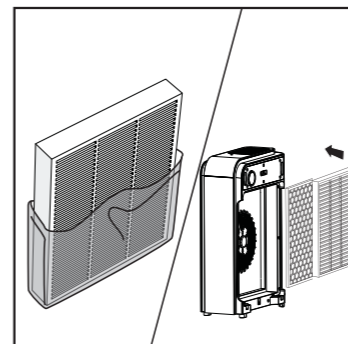
4. Remove all filters.



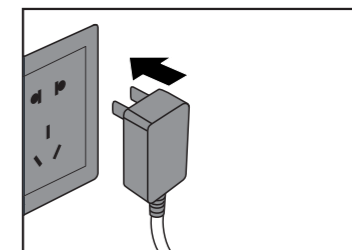
7. Please align the spacing



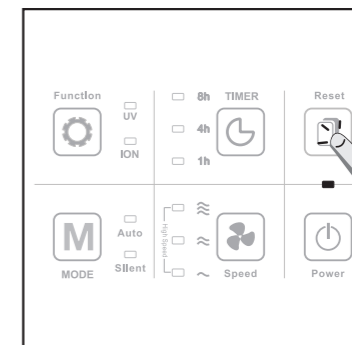
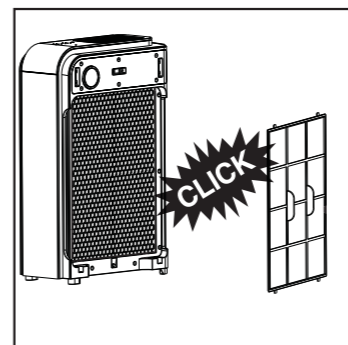
5. Remove all plastic packaging and place the filters into the purifier.



8. After replacing the filters, plug in the power turn on the unit. Hold the RESET button for 5 seconds to reset the filter replacement timer.



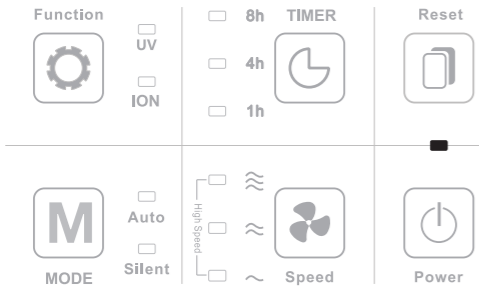
6. Put back the pre-filter into the purifier.



Before Use

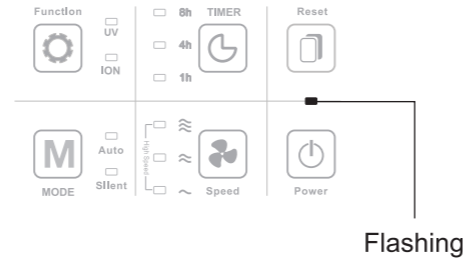
Replace the filter

Information



Steps

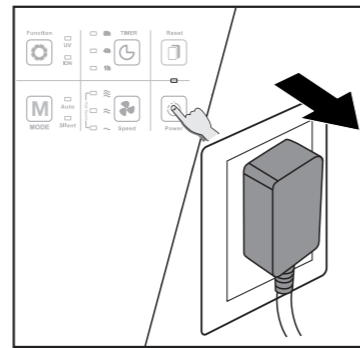
1. Reminder to replace the filters.



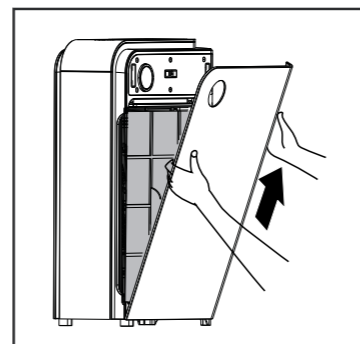
A reminder to replace the filters occurs when the air purifier has been operating for more than 1600 hours. The power light will slowly flash (blue when the unit is operating, red when it is in standby).

The unit can still operate after indication of filter replacement.

2. Turn off the power, then pull out the power plug.



3. Hold on the grooves of both side of the front panel, then gently pull it up.



Attention

Please turn off the power and pull out the power plug before replacing the filter.

Tips

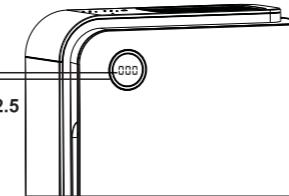
Remove all the plastic packaging of each filter before put into machine, Ensure the filter label is facing outward.

Before Use

Air-Quality Indicator

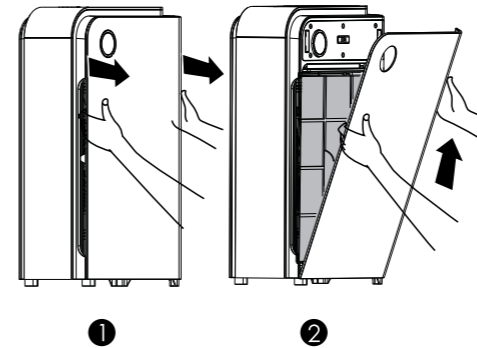
Air-Quality Indicator shows the environment air quality.

Air quality indicator light and data both for PM 2.5

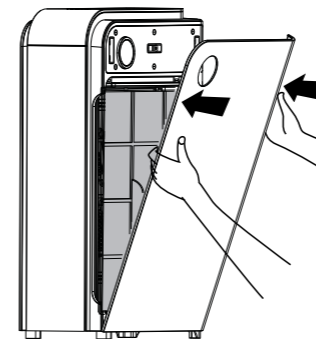


To open and close the front panel.

1. Steps to remove the front panel. Hold both grooves at sides of the front panel and gently pull it out and up.



2. Steps to replace the front panel. With both hands holding the front panel, align and insert panel into the bottom groove and then gently push in the panel.

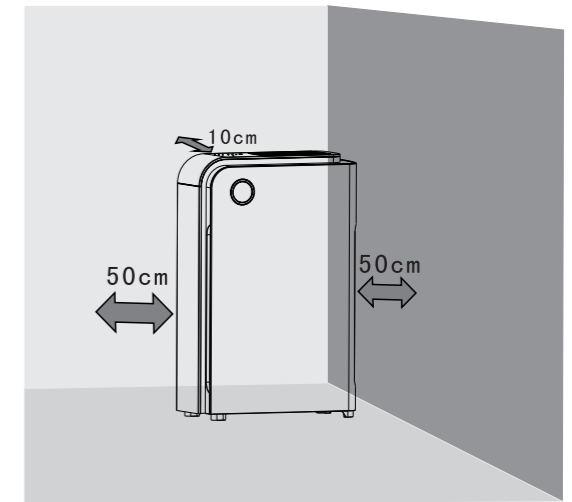


Location of the Air-purifier.

In order to achieve balanced air flow, Air-Purifier should be placed at least 50 cm away from either side of the wall and 10 cm from the back. Please keep Air-Purifier at least 1m away from TV or radio.

Please do not plug the Air-Purifier into the same socket as the TV or radio and other electrical appliances. Sharing of socket may cause interference.

- Prolong sitting of Air-Purifier in the same location may cause the wall to accumulate dust.
- To ensure maximum efficiency and adequate ventilation for the Air-Purifier, do not block the air inlet or outlet.



Before Use

Filter Installation

Please remove all the packaging material from the filters in the Air-Purifier before use, according to the instruction below:

Attention

- Please make sure the power plugs have been put off before installation, maintenance and transportation.
- Please do not operate the air purifier without the filters.
- Please ensure the power is switched off before installation, maintenance or cleaning. Remove all packaging material covering the filters before use.

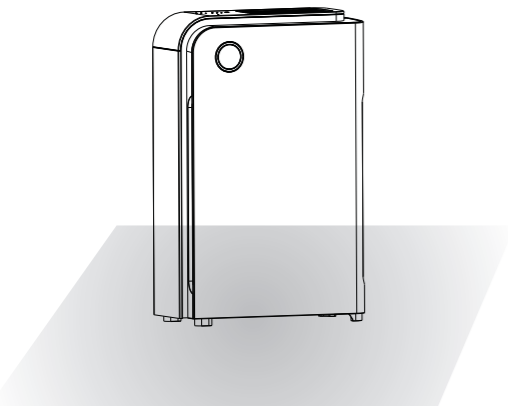
Tips

You may place the Air-Purifier near the wall to enhance stability when removing or installing the filters.

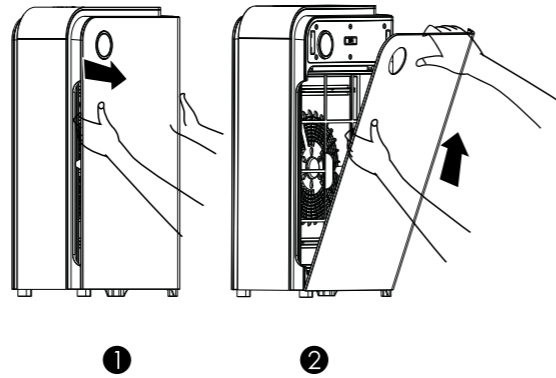
Steps

Before turning on the Air-Purifier, please ensure all filters are properly installed as instructed below:

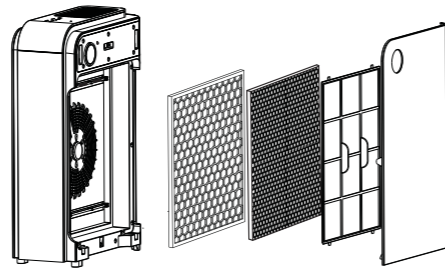
1. Please remove all packaging material from the filters and place all the filters horizontally on a dry and stable place.



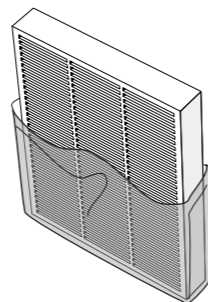
2. Hold on the grooves at both sides of the front panel, then gently pull it up.



3. Remove all filters and UV lamps packaging in the Air-Purifier.

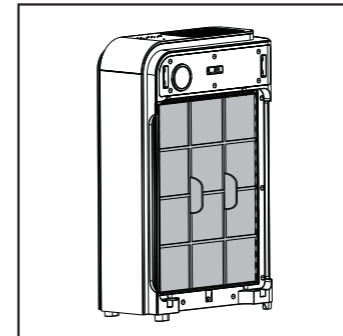


4. Dispose all packaging material properly.

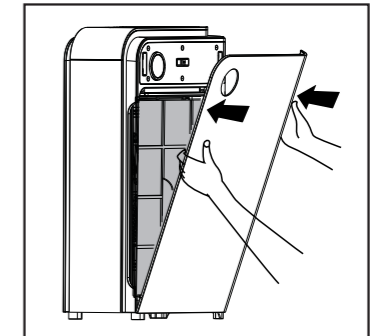


Cleaning And Maintenance

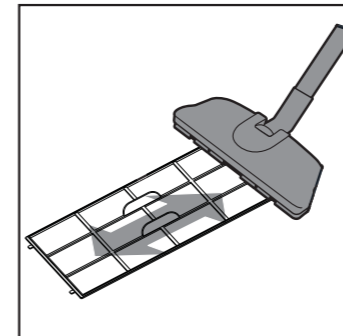
4. Remove the pre-filter using the protruding handles.



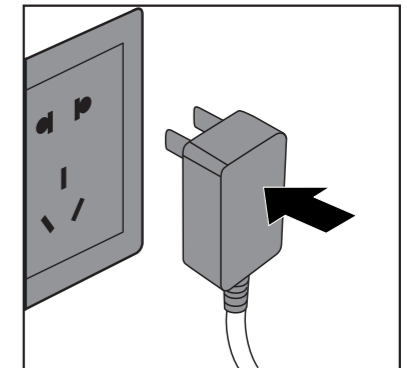
7. Reinstall the front panel. Align and insert into the grooves, then gently push up.



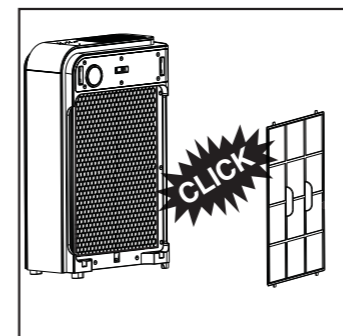
5. Use a soft brush or a vacuum cleaner to remove particles. Please use water or soapy water to clean the filter. Only replace the filter when it is completely dry.



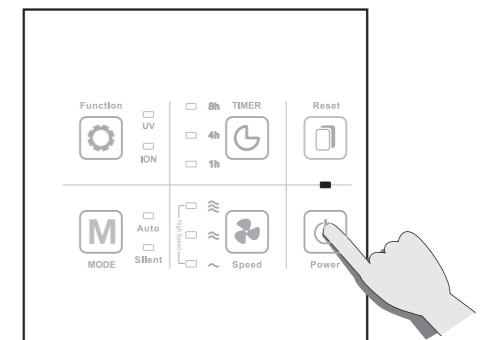
8. Plug in.



6. Put back the pre-filter into the air purifier.



9. Turn on the power and start the air purifier.



Cleaning And Maintenance

Clean the pre-filter

Information

In order to achieve the best performance , clean and maintain the Pre-filter every two months (about 480 hours) from the beginning to use.

Based on the average 8 hours a day , 7 days a week frequency , keep the machine working under the household environment.

External maintenance : use wet cloth(or the mild detergent)to wipe the surface to prevent the accumulation of dust.

Turn off the air purifier and pull out the plug before cleaning and maintenance.

Only the Pre-filter can be cleaned,other filters can't.

Attention

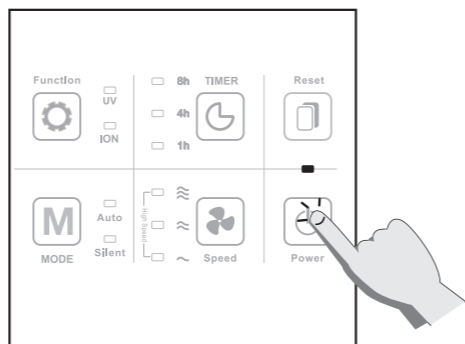
Please use the lowest power setting of the vacuum cleaner to prevent damage to the pre-filter.

Tips

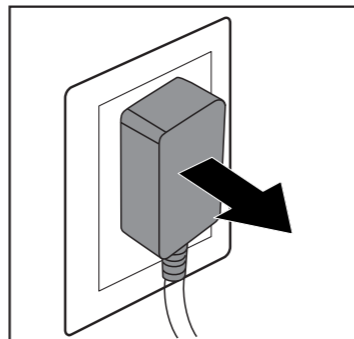
Before putting each filter into the machine pls remove the plastic packaging, and ensure that the labels on the filters are outwards.

Operation steps

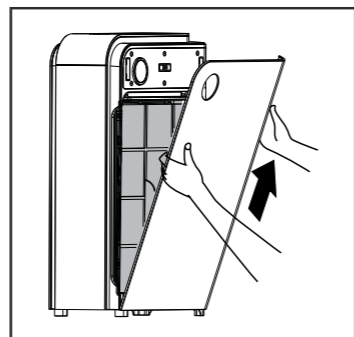
1. Turn off the power to stop the air purifier.



2. Pull out the power plug.

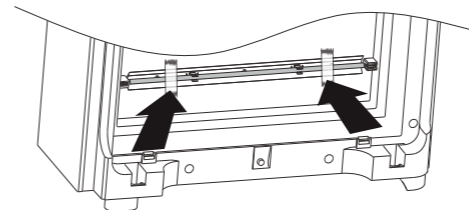


3. Hold on groove at both side of the front panel and pull it outward, then remove it upwards.

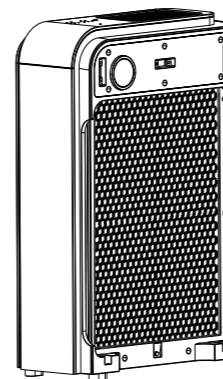
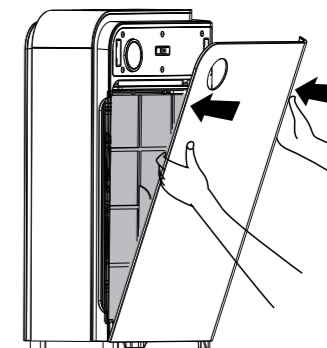


Before Use

5. When the UV lamps require replacement, please wear gloves and place the electrodes carefully in the sockets.



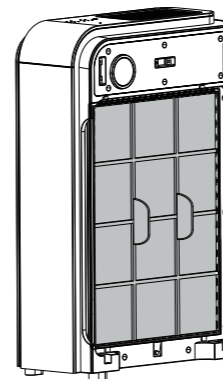
7. Replace the front panel. Align and insert into groove below and gently pushing it in place.



Tips

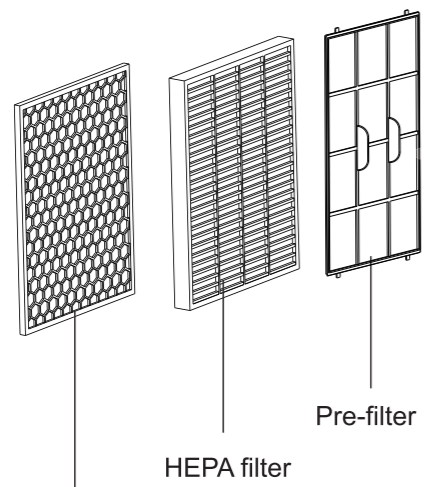
Please install the front panel carefully.

6. Replace the filters as instructed above and below.



Before Use

Filters and function



5 forms of air purification are incorporated to effectively purify the air and improve the quality of life.

One : Pre-filter

Two: HEPA filter

Three: Activated carbon filter

One: Pre-filter

The micron mesh filter effectively blocks up to 99.9% of 2.5um fibrous particulate matter. The filter can be cleaned and reused for a long time.

This micro mesh filter prevents large particles such as pet fur, dander and coarse dust and will increase the prolong usage of the HEPA and carbon filters.

Two : HEPA filter

99.97% of small particles (down to 0.3 micron) can be removed effectively. Allergens and bacteria in the air, such as pollen, smog and viruses can be removed effectively.

Three: Activated carbon filter

Removing volatile organic compounds, such as second-hand smoke and all kinds of polluting gases.

Cleaning And Maintenance

Be sure to switch off the power before cleaning.

Do not put the unit into water or any other liquid. Do not use corrosive or flammable cleaning products (bleach or alcohol, etc.)

Only the pre-filter can be cleaned with water; the other filters cannot.



Clean air purifier

Clean the air inlet and outlets regularly with a soft cloth to prevent dust accumulation.

- 1 use soft dry cloth to wipe the dust .
- 2 use soft dry cloth to clean inlet and outlet.

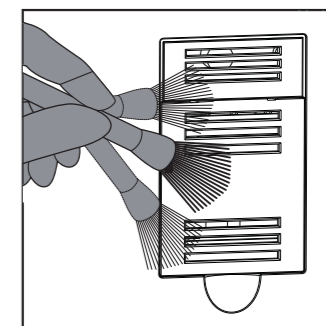
Clean air quality Sensor

Clean the air quality sensor every two months to ensure best performance. If the purifier is used in a dusty environment, please clean it more often.

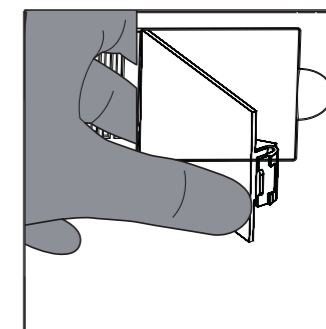
Attention

If the indoor humidity is very high, condensation may form on the air quality sensor, causing a faulty reading in the auto mode. In this case, please clean the sensor or use a manual setting.

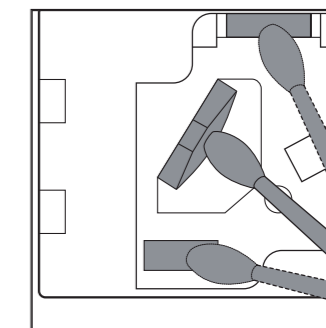
- 1. Use a soft brush to clean the inlet/outlet of air quality sensor



- 2. Remove the protective cover of air quality sensor.



- 3. Clean the air quality sensor, inlet and outlet with wet cotton swabs slightly

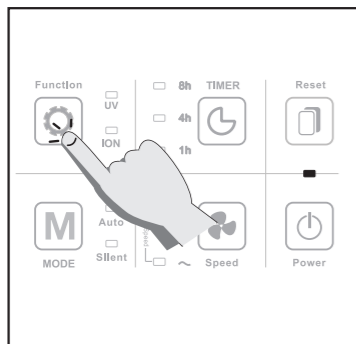


- 4. Dry it with dry cotton swabs.

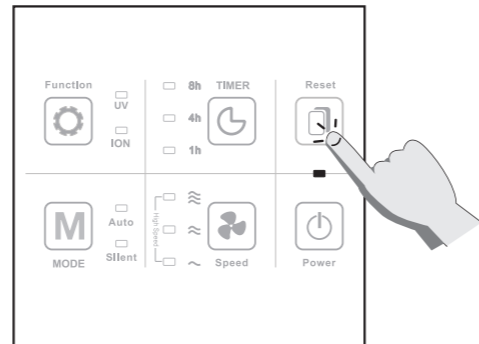
- 5. Remount the protective cover of air quality sensor.

Instructions

ION

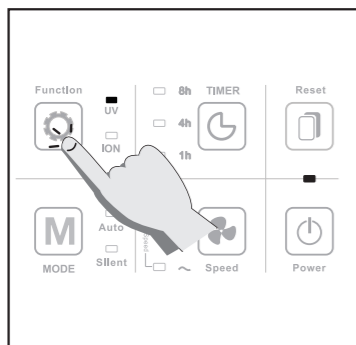


Air quality indicator

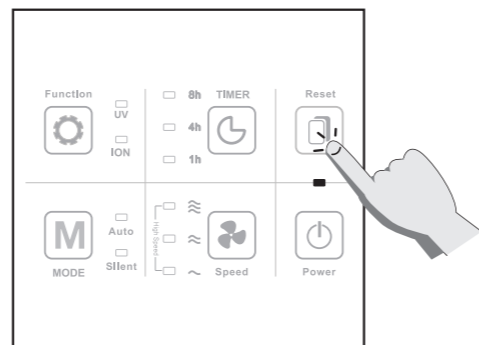


Push this button to turn the air quality indicator on and off.

Ultraviolet

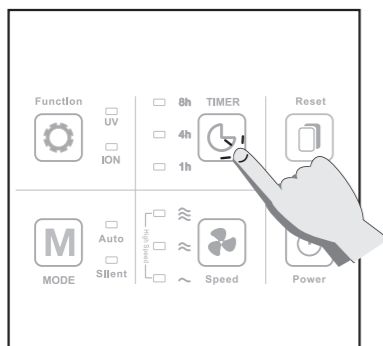


Reset



Reset the Air-Purifier by pressing the button for at least 5 seconds. This function is only available after the replacement of filters.

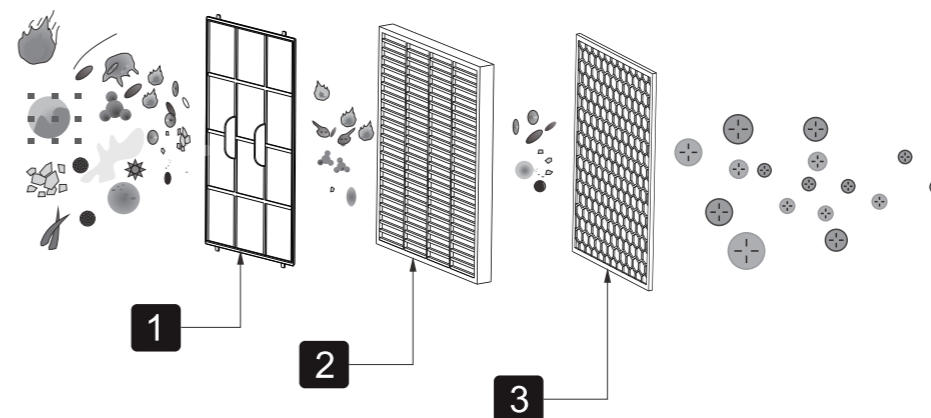
Timing function



Attention

When the indoor air quality is poor, extra stronger airflow is needed. Choose the highest fan speed when all of the LED lights are lighted.

Before Use



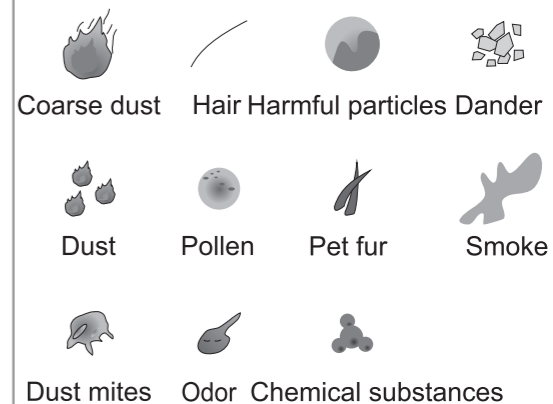
Four: ION

Produces large amounts of negative ions for physical adsorption, which eliminate odours.

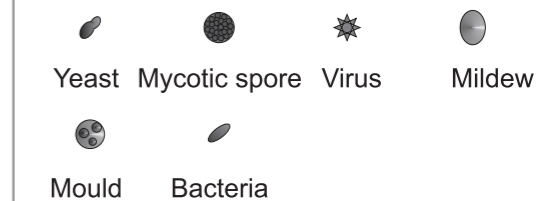
Five: UV light, effective sterilization

Effectively kills a variety of common bacteria and viruses.

+ The allergens



+ Bacteria

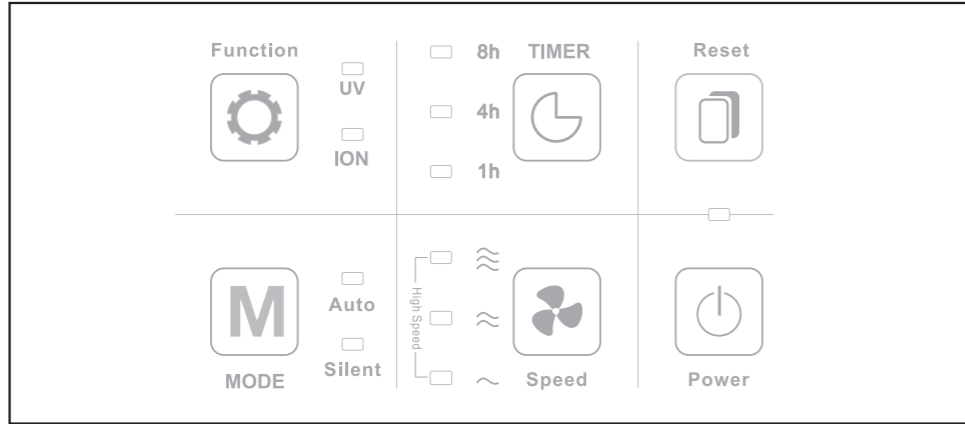


Tips

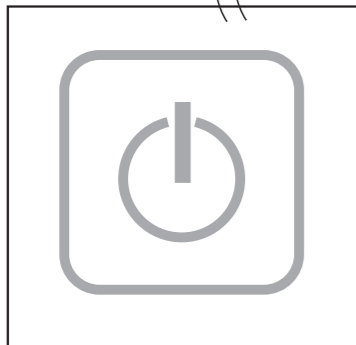
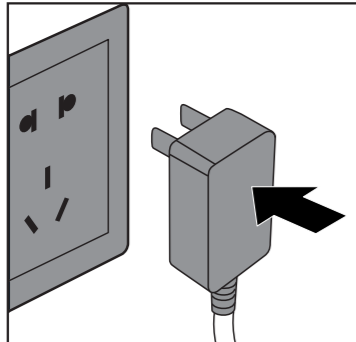
The Cold Cathode UV lamp trigger voltage is only 500V and does not produce ozone, ensuring safe use.

Instructions

Control panel

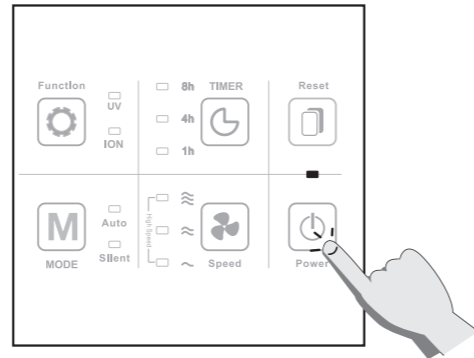


Plug in the power



Plug in the power, the music starts and all the lights flash 3 times continuously, then all the lights go off, leaving only the power indicator light in red, entering the standby mode.

Starting air purifier



Press the power switch to enter into auto mode with the lights on.

When the unit starts, the air quality indicator light will slowly flash. It begins to detect the air quality after preheating for 30 seconds.

When auto mode starts, it will detect the air quality automatically.

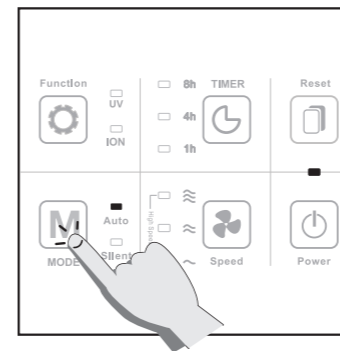
Instructions

Air quality indicator

| | | |
|--|---------------------------|-----------|
| | Blue (PM2.5= 0 ~ 50) | Excellent |
| | Green (PM2.5=50 ~ 100) | Good |
| | Purple (PM2.5= 100 ~ 150) | Fair |
| | Red (PM2.5=150 ~) | Bad |

Notice: please press the RESET button, if you need to turn off the air quality sensor light.

Auto mode



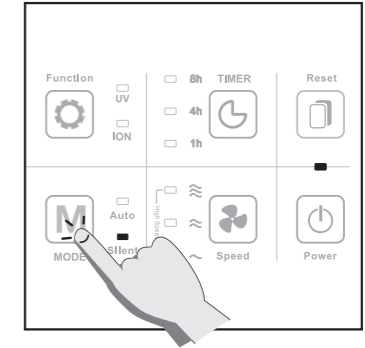
Turning the power on, it will detect the air quality automatically. Choosing the auto mode, will give you the most appropriate fan speed.

Night mode

Night Mode, with built-in sensor, will detect the light intensity in the room and automatically adjust the air quality lamp's brightness. It will also go into silent mode to not disturb your sleep.

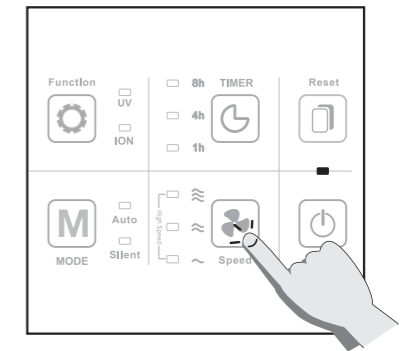
Night mode can only be used together with the auto mode.

Silent mode



It operates with low noise in silent mode.

Fan Speed adjustment



The four columns below indicate the different fan speeds.

| One | Two | Three | Four |
|-----|-----|-------|------|
| | | | |
| | | | |
| | | | |